

# SWAG Portaband Table V1.0 & V3.0 Installation Instructions



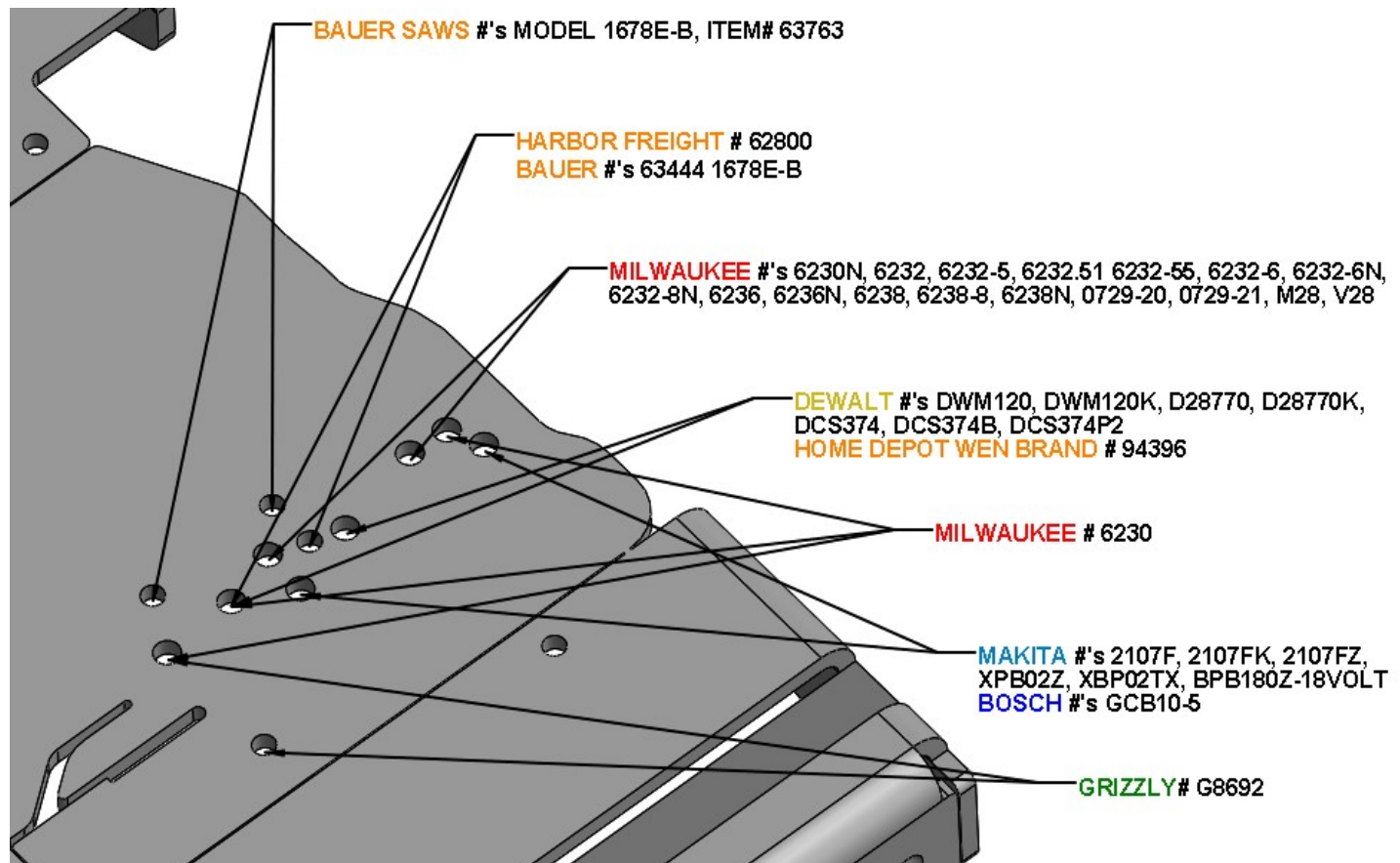
## (1) Install bolt on side legs:

If you purchased the V3.0 Portaband table attach the bolt on side legs using the supplied 5/16" button head bolts and nyloc nuts.

## (2) Remove Factory Foot Blade Guard:

Remove the factory foot guard on your Milwaukee, Makita, Harbor Freight or Dewalt band saw, the steel foot guard is held on by two or three screws depending upon which model of saw you own.

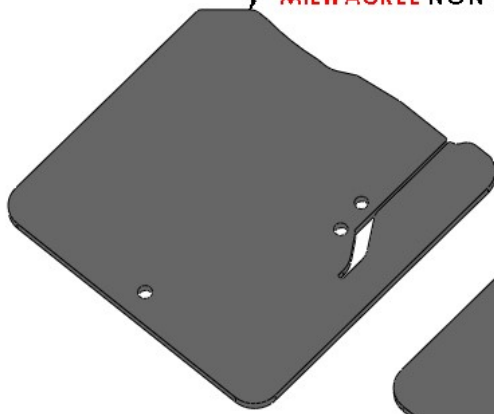
Attach the SWAG Portaband table using the supplied screws to the factory foot guard mounting location as shown in the picture below. Our tables are designed to fit a variety of saws and there will be left over screws that you do not need to mount your particular saw.



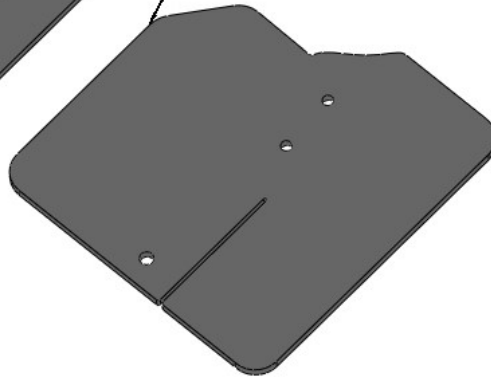
[WWW.SWAGOFFROAD.COM](http://WWW.SWAGOFFROAD.COM)

“DOING ORDINARY EXTRAORDINARY”

MILWAUKEE NON DEEP THROAT MODEL #'S 6223, 6225, 6226, 6227

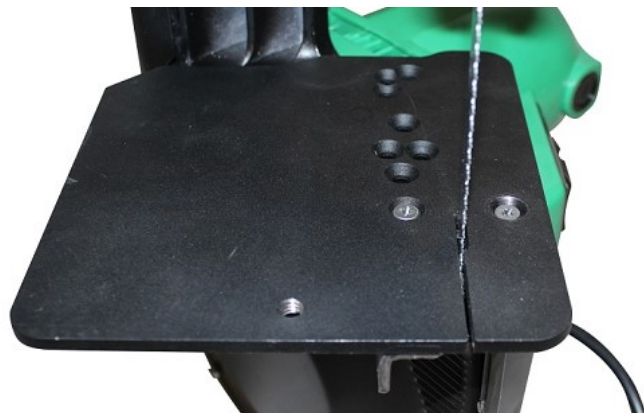


MILWAUKEE COMPACT MODEL #'S 6242-6, 2629-22 M18, 2626-20 M18



### 3) Grizzly Saw Model # G8692:

If you are installing the Grizzly saw model # G8692 on the V3.0 table you will need to cut 1.00" off the front edge of the factory blade guard, see image below. If you are installing the Grizzly saw on the V1.0 table no modifications are necessary. Install the saw as shown below. Keep the top phillips screw in the factory position holding down the blade guard, then install the portaband table using the same two phillips screws that came with your saw.

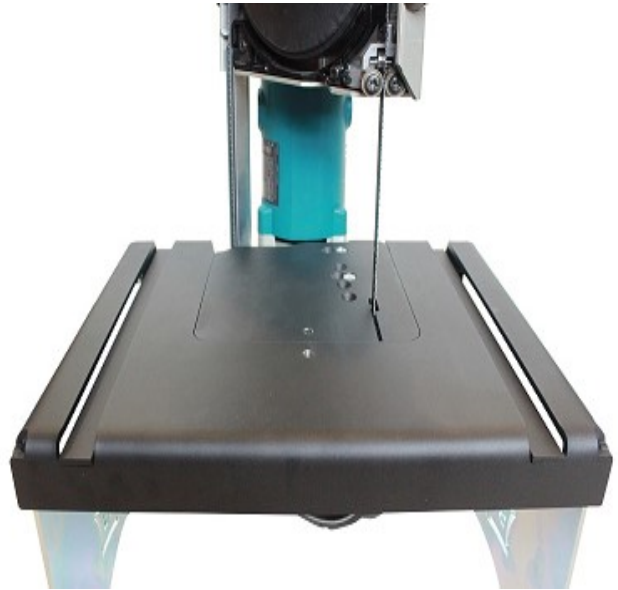
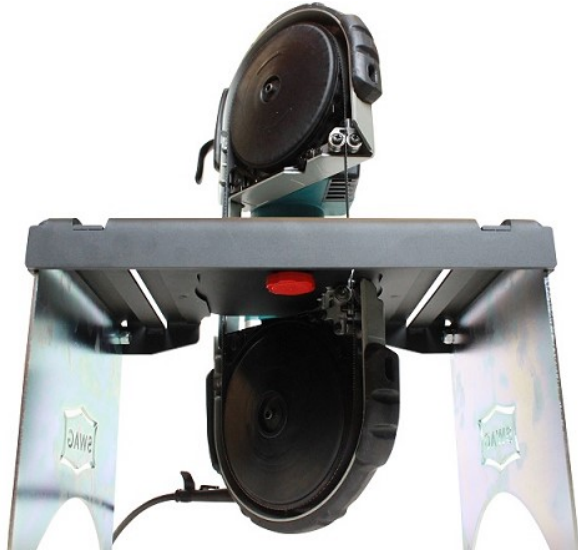


[WWW.SWAGOFFROAD.COM](http://WWW.SWAGOFFROAD.COM)

"DOING ORDINARY EXTRAORDINARY"

### 3) Thumb Knob:

If you purchased the V3.0 Portaband table, install the saw in the table and thread in the provided 5/16" red thumb screw from the bottom of the table. If the threads on the thumb knob stick up through the top of the table then use the provided washer to reduce the effective length of the fastener.



### 4) Trigger Control:

We recommend using an 8" Velcro strap or a 2.5" spring clamp to hold down the trigger on the saw. These options can easily be removed when the saw is not mounted in the SWAG Portaband table.

# SWAG Portaband Table V1.0 Harbor Freight Saw PN# 47840 Installation Instructions “ONLY”

## (1) Remove Factory Foot Guard:

Remove the factory blade guard on your Harbor Freight band saw, then loosely install the provided foot guard as shown in the 2<sup>nd</sup> picture.



Attach the SWAG Portaband V1.0 table using the supplied (3) 10-24 philips head screws as shown in the picture below. Our tables are designed to fit a variety of saws and there will be left over screws that you do not need to mount your particular saw.

You are able to slightly adjust the side to side tilt of the saw, once the saw is perpendicular to the table tighten the two blade guard mounting screws. In the future when you need to remove your saw from the table you will remove the (3) 10-24 philips head screws.

